

Item No. 48: STRUCTURAL COMPONENT KIT
(Incl. 22, 23, 25, 26, 28, 46, 49)

Item No.	Type	Sub	Part No.	Description	Qty	Unit
001			TE00000201	HEX TAPPING SCREW 4X14	4	PC.
002			TE00000248	FRONT COVER OF THE BODY	1	PC.
003			TE00000199	CIRCLIP	1	PC.
004			TE00000186	FAN BLADE	1	PC.
005			TE00000249	FRONT COVER OF THE STAND	1	PC.
006			TE00000202	SCREW 3X10	4	PC.
007			TE00000206	P.H. SCREW M3X5	2	PC.
008			TE00000250	BACK COVER OF THE BODY	1	PC.
009			TE00000203	SELF-TAPPING SCREW 2.5X8	4	PC.
010			TE00000189	STOPPER SUPPORT	2	PC.
011			TE00000190	STOPPER	2	PC.
012			TE00000197	SPRING1	2	PC.
013			TE00000251	BACK COVER OF THE SUPPORT	1	PC.
014			TE00000204	SCREW 3X14	8	PC.
015	1		TE00000262	MOTOR AND LEAD	1	PC.
	2		TE00000510	MOTOR AND LEAD	1	PC.
016			644813-5	TERMINAL	1	PC.
017			TE00000179	THE BATTERY HOUSING	1	PC.
018			TE00000191	STOPPER FOR HOOK AND HANDLE	2	PC.
019			TE00000205	CROSS BELT PAD SCREWS 4X10	2	PC.
020			TE00000185	HOOK AND HANDLE	1	PC.
021			TE00000252	SPRING(LARGE)	4	PC.
022	2		TE00000684	* PRINCIPAL AXIS	1	PC.
023	2		TE00000686	* PRESSING/FIXING PART	1	PC.
024	3		TE00000089	POM PLATE	4	PC.
025	3		TE00000695	* UP COVER OF THE BASE	1	PC.
026	2		TE00000685	* SHAKE HEAD-POM 1	1	PC.
027	1		TE00000254	PCBA	1	PC.
	2		TE00000517	PCBA	1	PC.
029			TE00000277	SHAKE HEAD -CONNECTION IRON	1	PC.
030			TE00000255	LOWER COVER OF THE BASE	1	PC.
031			TE00000063	STEEL BALL 6	4	PC.
032			TE00000256	TAPPING SCREW 3X8	4	PC.
033	1		TE00000280	* SUB MOTOR	1	PC.
	2		TE00000417	* SUB MOTOR	1	PC.
034			TE00000282	SHAKE HEAD-POM 2	1	PC.
035			TE00000102	PHILLIPS HEAD SCREW M3X14	1	PC.
036			TE00000281	NUT M3	1	PC.
037			TE00000283	FIXED PART OF DC BASE	1	PC.
038			TE00000192	CHARGING SOCKET PLUG	1	PC.
039			TE00000286	RAITING LABEL	1	PC.
040	2		TE00000511	LEAD WITH INSERTING PIECE	2	PC.
041			TE00000204	SCREW 3X14	6	PC.
042			TE00000256	TAPPING SCREW 3X8	2	PC.
043			TE00000256	TAPPING SCREW 3X8	2	PC.
044	2		TE00000647	* SWITCH LABEL	1	PC.
046			TE00000418	* CABLE TIE	1	PC.
047			TE00000204	* SCREW M3X14	1	PC.
048			TE00000795	* STRUCTURAL COMPONENT KIT	1	PC.
		INC.		* Item No. 22,23,25,26,28,46,49		
049			TE00000681	* PVC TUBE	1	PC.

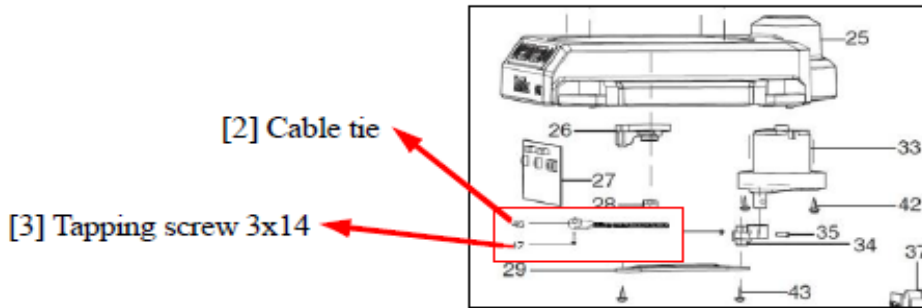
Item No.	Type	Sub	Part No.	Description	Qty	Unit
			<u>ACCESSORIES</u>			
			- Visit www.makita.ca for more accessories information -			
A01			---	12V MAX LI-ION BATTERY, SLIDE TYPE		
A02			DC10SB	RAPID CHARGER DC10SB	1	PC.
A03			456128-6	BATTERY COVER F/12V MAX LI-ION SLIDE BATTERY	1	PC.
A04			TE00000213	AC ADAPTER	1	PC.

SERVICE CHANGES

1. Changes on Sub Motor, Addition on Cable Tie and Screw M3x14

(T/I#Y08772)

Item No.	Description	Type 1	Type 2
033	SUB MOTOR	TE00000280	TE00000417
046	CABLE TIE	-----	TE00000418
047	SCREW M3X14	-----	TE00000204



2. Changes on Up Cover on Base and Switch Label

(T/I#Y09139)

Item No.	Description	Type 1	Type 2
25	UP COVER OF THE BASE	TE00000253	TE00000645
44	SWITCH LABEL	TE00000317	TE00000647

Above parts are completely interchangeable as a set.

3. Addition of Structural component

(T/I#Y09272)

Item No.	Description	Type 1	Type 2
	STRUCTURAL COMPONENT	-----	TE00000792
48		-----	INC. 22, 23, 25, 26, 28, 46, 49
49	PVC TUBE	-----	TE00000681
45	WIRE SHEATH RUBBER	TE00000537	-----
25	UP COVER OF BASE	TE00000645	TE00000695
22	PRINCIPAL AXIS	TE00000271	TE00000684
26	SHAKE HEAD POM 1	TE00000274	TE00000685
23	PRESSING FIXING PART	TE00000272	TE00000686
	NUT M8	TE00000276	-----
28	CROSS ROUND HEAD SCREW M3X8	-----	TE00000687

**Components of
TE00000795**

Above parts are completely interchangeable as a set.